

## Round surface slim profile 19x16 mm

Accessories for Flexible LED strips

### Cechy produktu

- Compatible with TEC Flex



### Korzyści ze stosowania produktu

- Profile aluminiowe – wytrzymałe i odporne na korozję dzięki anodowanej powłoce

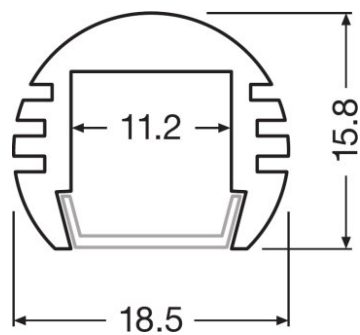
## Karta katalogowa rodziny produktów

### Dane techniczne

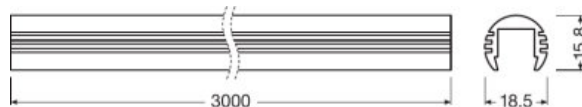
| Opis produktu                 | Wymiary i waga |               | Dane logistyczne  | Environmental information according Art. 33 of EU Regulation (EC) 1907/2006 (REACH) |
|-------------------------------|----------------|---------------|-------------------|-------------------------------------------------------------------------------------|
|                               | Długość        | Masa produktu | Kod taryfy celnej | Date of Declaration                                                                 |
| FX-QMS-G1 -TR19H16-300        | 3000 mm        | 711,00 g      | 76042990900       | 30-08-2022                                                                          |
| FX-QMS-G1 -EFGP-TR19H16       | 16,0 mm        | 1,00 g        | 39269097900       | 11-02-2022                                                                          |
| FX-QMS-G1 -EFGH-TR19H16       | 16,0 mm        | 1,00 g        | 39269097900       | 02-02-2022                                                                          |
| FX-QMS-G1 -TR19H16-PENDANTKIT | 15,0 mm        | 192,00 g      | 73269098900       | 11-02-2022                                                                          |
| FX-QMS-G1 -CFDB-300           | 3000 mm        | 51,75 g       | 39169050900       | 30-08-2022                                                                          |
| FX-QMS-G1 -CFTL-300           | 3000 mm        | 58,50 g       | 39269097900       | 11-02-2022                                                                          |

| Opis produktu                 | Primary Article Identifier | Candidate List Substance 1         | Declaration No. in SCIP database   |
|-------------------------------|----------------------------|------------------------------------|------------------------------------|
| FX-QMS-G1 -TR19H16-300        | 4052899449008              | No declarable substances contained | No declarable substances contained |
| FX-QMS-G1 -EFGP-TR19H16       | 4052899999985              | No declarable substances contained | No declarable substances contained |
| FX-QMS-G1 -EFGH-TR19H16       | 4052899999909              | No declarable substances contained | No declarable substances contained |
| FX-QMS-G1 -TR19H16-PENDANTKIT | 4052899600034              | No declarable substances contained | No declarable substances contained |
| FX-QMS-G1 -CFDB-300           | 4052899446991              | No declarable substances contained | No declarable substances contained |
| FX-QMS-G1 -CFTL-300           | 4052899999749              | No declarable substances contained | No declarable substances contained |

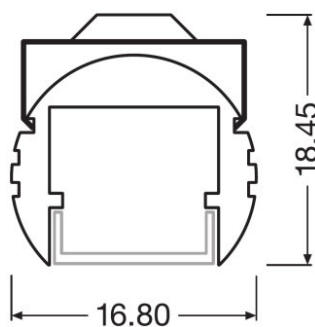
## Karta katalogowa rodziny produktów



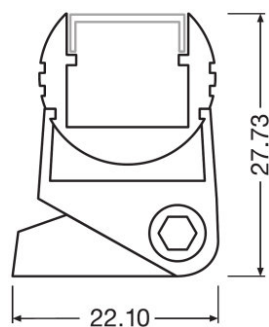
728420\_TR19H16-300



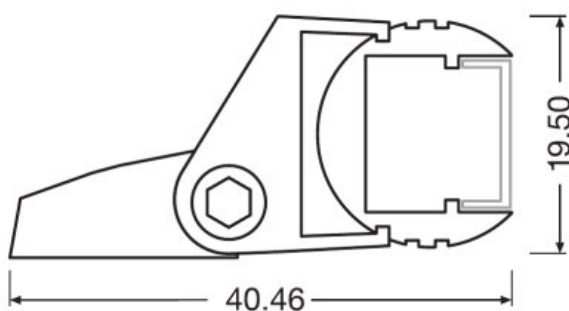
728997\_FX-QMS-G1-TR19H16-300



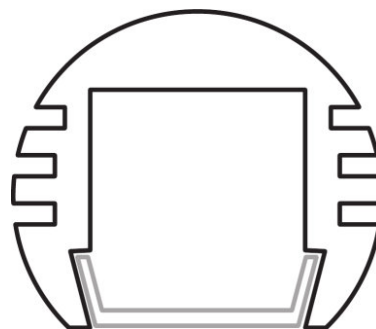
TR19H16 profile + bracket



TR19H16 profile + tiltable bracket



TR19H16 profile + tiltable bracket 90°

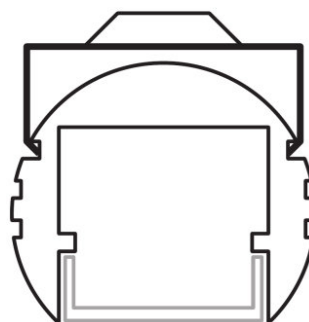


728452\_TR19H16-300

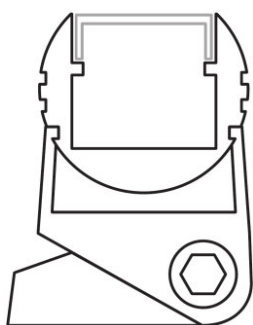
# Karta katalogowa rodziny produktów



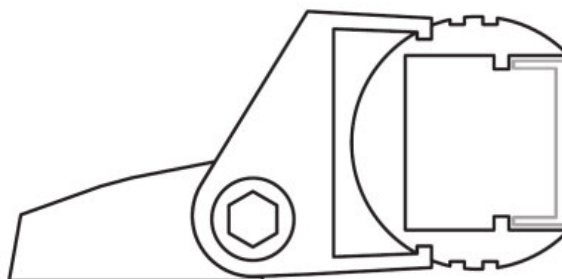
729064\_FX-QMS-G1-TR19H16-300



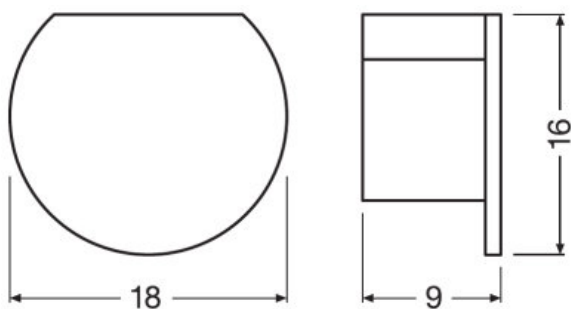
TR19H16 profile + bracket



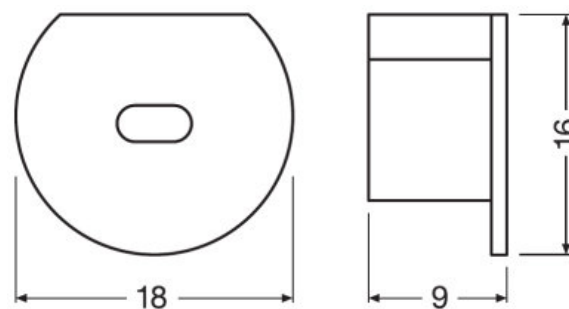
TR19H16 profile + tiltable bracket



TR19H16 profile + tiltable bracket 90°

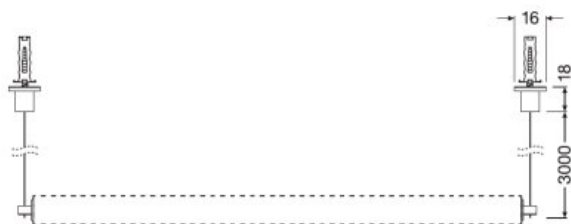


FX-QMS-G1-EFGP-TR19H16

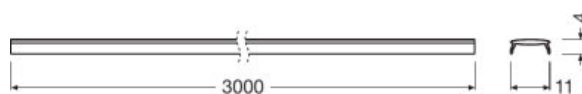


FX-QMS-G1-EFGH-TR19H16

## Karta katalogowa rodziny produktów



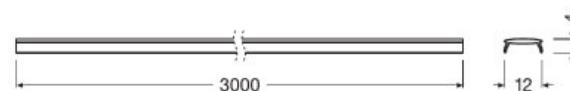
FX-QMS-G1-TR19H16-PENDANTKIT



729001\_FX-QMS-G1-CFDB-300



729069\_FX-QMS-G1-CFDB-300



FX-QMS-G1-CFTL-300



### Wskazówki dotyczące zastosowania

Więcej szczegółowych informacji dotyczących grafik i zastosowania znajduje się w karcie katalogowej produktu

### Sprzedaż i pomoc techniczna

Sprzedaż i pomoc techniczna [www.osram.com](http://www.osram.com)

### Pobierz dane

| Plik                                                                                |                                                                             |
|-------------------------------------------------------------------------------------|-----------------------------------------------------------------------------|
|  | Product Datasheet<br>Specification Sheet Wide Profile FX-QMS-G1-TR19H16-300 |
|  | Broszury<br>Light is freedom of design (EN)                                 |

## Karta katalogowa rodziny produktów

|                                                                                   |                                                                                  |
|-----------------------------------------------------------------------------------|----------------------------------------------------------------------------------|
|  | Dane CAD<br>CAD file slim profile TR19H16                                        |
|  | Eulumdat<br>Eulumdat_FX-QMS-G1-TR19H16-300_CFDL                                  |
|  | Eulumdat<br>Eulumdat_FX-QMS-G1-TR19H16-300_CFDB                                  |
|  | Product Datasheet<br>Specification Sheet Slim Track FX-QMS-G1-T45D19H19-300 (EN) |
|  | Product Datasheet<br>Specification Sheet Slim Track FX-QMS-G1-TU15H6-300 (EN)    |
|  | Product Datasheet<br>Specification Sheet Slim Track FX-QMS-G1-TU15H6W3-300 (EN)  |
|  | Product Datasheet<br>Specification Sheet Slim Track FX-QMS-G1-TU16H12LS-300 (EN) |
|  | Product Datasheet<br>Specification Sheet Slim Track FX-QMS-G1-TU16H12W3-300 (EN) |
|  | Product Datasheet<br>Specification Sheet_Slim Track FX-QMS-G1-TU16H12-300 (EN)   |

### Ecodesign regulation information:

- This product is considered to be a "containing product" in the sense of Regulations (EU) 2019/2020 and (EU) 2019/2015.
- Tolerances of the reported values, are according to LED Modules Performance standard IEC/EN 62717.
- In general, the replacement of the contained light sources without permanent damage to the product with the use of common available tools is possible in the final application when they can be dismantled from the installation environment and substituted for the necessary number of light sources restoring its full electrical/mechanical/thermal/optical functionality by means of a professional installer. In the contrary, and limited to the LINEARlight Flex Diffuse, LINEARlight Rigid Finesse, GINO LED Flex Diffuse and LUMINENT Milky product families, the contained light source is an integrated part of the containing product and its removal can only be done by causing a permanent damage to the containing product due to its tight mechanical, electrical, optical, thermal interaction and/or environmental protection with or from the containing product. Therefore, a replacement of the light source with the use of common available tools is not justified.
- Dismantling of light sources from containing products at end of life: Containing products with light sources which are scalable in length can be cut to the length of the contained light source and if applicable mechanically detached from protective and/or optical covers. Containing products shall be separated from building material and/or from other additional mounting accessories by means of a professional installer. Separate control gear and light sources must be disposed of at certified disposal companies in accordance with Directive 2012/19/EU (WEEE) in the EU and with Waste Electrical and Electronic Equipment (WEEE) Regulations 2013 in the UK. For this purpose, collection points for recycling centres and take-back systems (CRSO) are available from retailers or private disposal companies, which accept separate control gear and light sources free of charge. In this way, raw materials are conserved and materials are recycled.

### Dane logistyczne

| Kod produktu  | Opis produktu          | Opakowanie (liczba produktów / opakowanie) | Wymiary (długość x szerokość x wysokość) | Objętość              | Waga brutto |
|---------------|------------------------|--------------------------------------------|------------------------------------------|-----------------------|-------------|
| 4052899449008 | FX-QMS-G1 -TR19H16-300 | Karton wysyłkowy<br>20                     | 3020 mm x 100 mm x 100 mm                | 30.20 dm <sup>3</sup> | 15240.00 g  |

## Karta katalogowa rodziny produktów

### Dane logistyczne

|               |                               |                      |                           |                        |           |
|---------------|-------------------------------|----------------------|---------------------------|------------------------|-----------|
| 4052899999985 | FX-QMS-G1 -EFGP-TR19H16       | Karton wysylkowy 400 | 175 mm x 145 mm x 110 mm  | 2.79 dm <sup>3</sup>   | 506.00 g  |
| 4052899999909 | FX-QMS-G1 -EFGH-TR19H16       | Karton wysylkowy 400 | 175 mm x 145 mm x 110 mm  | 2.79 dm <sup>3</sup>   | 506.00 g  |
| 4052899600034 | FX-QMS-G1 -TR19H16-PENDANTKIT | Karton wysylkowy 10  | 220 mm x 220 mm x 130 mm  | 6.29 dm <sup>3</sup>   | 2230.00 g |
| 4052899446991 | FX-QMS-G1 -CFDB-300           | Karton wysylkowy 40  | 3060 mm x 225 mm x 225 mm | 154.91 dm <sup>3</sup> | 3293.00 g |
| 4052899999749 | FX-QMS-G1 -CFTL-300           | Karton wysylkowy 40  | 3020 mm x 80 mm x 30 mm   | 7.25 dm <sup>3</sup>   | 2880.00 g |

Wymieniony kod produktu oznacza najmniejszą ilość produktu, jaka może być zamówiona. Jednostka transportowa może zawierać jedną sztukę lub więcej. Składając zamówienie prosimy o zamawianie ilości odpowiadających jednej lub wielokrotności jednostki transportowej.

### Aksesoria opcjonalne

| Opis produktu          | Nazwa akcesorium              | Kod akcesorium  |
|------------------------|-------------------------------|-----------------|
| FX-QMS-G1 -TR19H16-300 | FX-QMS-G1 -CFDB-300           | ▶ 4052899446991 |
| FX-QMS-G1 -TR19H16-300 | FX-QMS-G1 -CFTL-300           | ▶ 4052899999749 |
| FX-QMS-G1 -TR19H16-300 | FX-QMS-G1 -EFGH-TR19H16       | ▶ 4052899999909 |
| FX-QMS-G1 -TR19H16-300 | FX-QMS-G1 -EFGP-TR19H16       | ▶ 4052899999985 |
| FX-QMS-G1 -TR19H16-300 | FX-QMS-G1 -TR19H16-PENDANTKIT | ▶ 4052899600034 |

### Oświadczenie

Zastrzega się możliwość zmian bez uprzedzenia. Błędy i ominięcia są możliwe. Należy zawsze upewnić się czy korzystasz z najnowszej wersji katalogu.